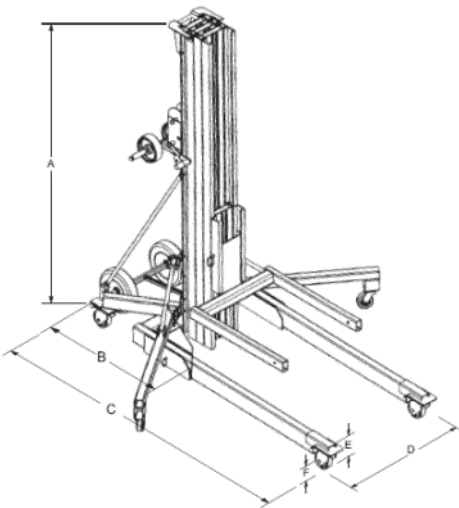


Loadsurfer Material Lift



- ◆ Heavy duty design for Safety, rigidity, strength & compactness
- ◆ Quick setup requires no tools & is ready in seconds
- ◆ Telescoping mast system
- ◆ Roller wheels on the base of the legs allow the unit to be easily pushed around.
- ◆ Legs fold up for easy storage
- ◆ Available in 10ft, 15ft, 20ft and 25ft sizes.



W.L.L. (kg)	Load Centre		LSLGA10	LSLGA15	LSLGA20	LSLGA25
		40cm	450	360	360	290
		60cm	450	360	270	200
		100cm	180	225	150	110
Max Working Height (m)			3.5	5	6.5	7.9
Height-stowed A(m)			2	2	2	2
Length stowed B(m)			0.75	0.75	0.75	0.75
Length-Operating C(m)			1.5	1.88	2.08	2.08
Width-Straddle Min		D(m)	0.75	0.75	0.75	0.75
Width-Straddle Max			-	-	1.88	1.88
Load height-min E(m)			0.15	0.15	0.15	0.15
Ground Clearance F(m)			0.05	0.05	0.05	0.05
Net Weight (kgs)			120	145	185	205



- Optional Extra's**

 - ◆ Fork extensions
 - ◆ Pipe cradle
 - ◆ Platform table