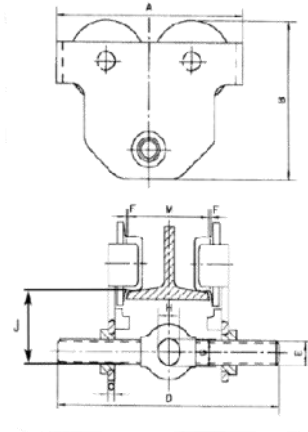


Beam Trolleys



- ◆ Adjustable beam trolley
- ◆ Easy attachment to most RSJ/Beams
- ◆ Simple rotation of bar to adjust width
- ◆ High grade sealed ball bearing wheels
- ◆ Anti drop plates
- ◆ Low headroom
- ◆ Hoists fit directly on to the trolley
- ◆ Fits beam widths from 50mm-305mm

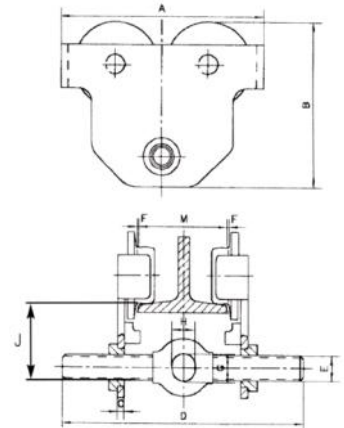


Product Code	Capacity (tonnes)	I Beam Recommended M	A	B	C	D	E	H	G	F	Closed Height J	Weight (kgs)
BT0.5T	0.50	50-220	225	176.5	8	224	27	25	30	~3	80	8.5
BT0.5TW	0.50	160-305	225	176.5	8	224	27	25	30	~3	80	8.5
BT1T	1	50-220	252	188	10	283	30	30	35	~3	105	10.5
BT1TW	1	160-305	252	188	10	283	30	30	35	~3	105	10.5
BT2T	2	66-220	300	226	12	293	38	40	47	~3	120	18
BT2TW	2	160-305	300	226	12	293	38	40	47	~3	120	18
BT3T	3	74-220	360	290	14	307	45	48	58	~3	130	32
BT3TW	3	160-305	360	290	14	307	45	48	58	~3	130	32
BT5T	5	90-220	400	313	16	312	52	60	70	~3	160	48.5
BT5TW	5	160-305	400	313	16	312	52	60	70	~3	160	48.5

Adjustable Geared Beam Trolley



- ◆ Easy Attachment to beams
- ◆ Simple rotation of bar to adjust width
- ◆ High grade sealed ball bearing Wheels.
- ◆ Anti-drop bars
- ◆ Low headroom
- ◆ Movement controlled by hand chain.
- ◆ Length of chain to suit your needs



Product Code	Capacity (tonnes)	I BEAM RECOMMENDED M	A	B	C	D	E	H	G	F	CLOSED HEIGHT J	WEIGHT KGS
BTG0.5T	0.50	50-220	225	177	8	267.5	27	25	30	~3	80	9
BTG0.5TW	0.50	160-305	225	177	8	267.5	27	25	30	~3	80	9
BTG1T	1	50-220	252	188	10	289	30	30	35	~3	105	12.6
BTG1TW	1	160-305	252	188	10	289	30	30	35	~3	105	12.6
BTG2T	2	66-220	300	226	12	306	38	40	47	~3	120	18.5
BTG2TW	2	160-305	300	226	12	306	38	40	47	~3	120	18.5
BTG3T	3	74-220	360	290	14	342.5	45	48	58	~3	130	28
BT3TW	3	160-305	360	290	14	342.5	45	48	58	~3	130	28
BT5T	5	90-220	400	313	16	351	52	60	70	~3	160	45
BT5TW	5	160-305	400	313	16	351	52	60	70	~3	160	45